

## SWIP PLUGS FOR 1 & 2 LAYERS PLASTERBOARD

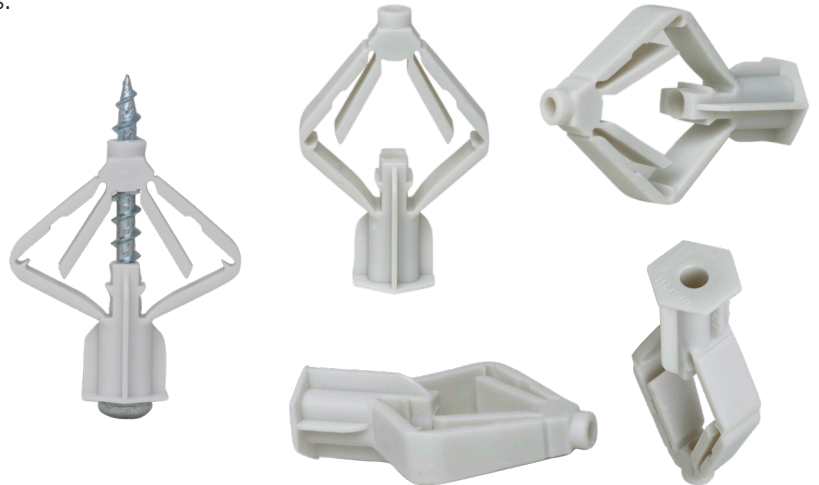
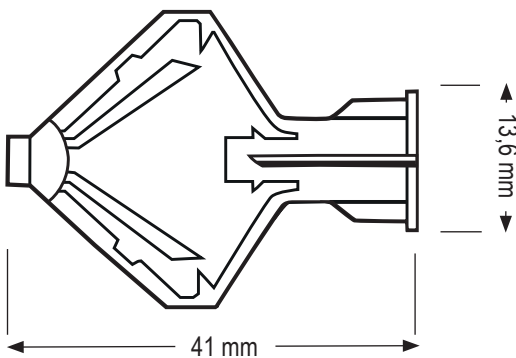
Material: High quality recycled Nylon (Polyamid 6). Halogen free.  
Withstand temperatures from -40 °C to +80°C.



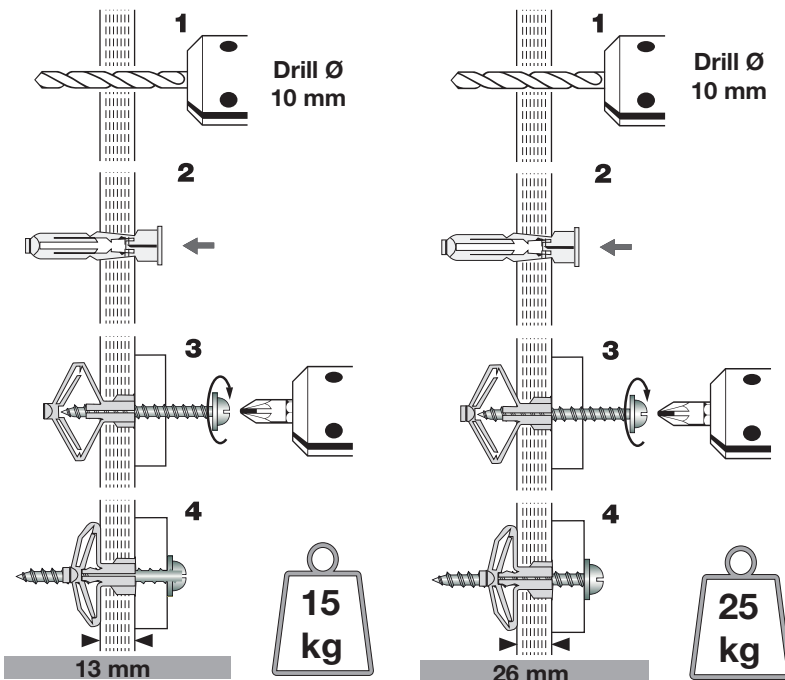
### BENEFITS

- Drywall anchor for use in 1 & 2 layers plasterboard and other sheet structures
- Special rotation fins prevent the plug from rotating in the drill hole
- The collar prevents plug from disappearing into the hole
- Adapted for wood, self-tapping and chipboard screws.

### DIMENSIONS



### INSTALLATION



### Load capacity, kN (1kN ≈ 100 kg)

Material	kN
Plasterboard (1 layer, 13 mm)	0,15
Plasterboard (2 layers, 26 mm)	0,25

Loads: Safety factor 3 is included. Loads are tensile loads with highest screw diameter (recommended).

Screws are chipboard screws, higher loads (up to 30%), can be obtained by using traditional wood screws.

**Screws are not included.**

### SPECIFICATIONS

Ref. nr.	Type	Colour	Drill Ø (mm)	Screw Ø (mm)	Pieces/box
350014	SP	grey	10	3,9 - 4,2	50