

TECHNICAL DATA SHEET

PLUGS CLIPS, ROUND LEAD

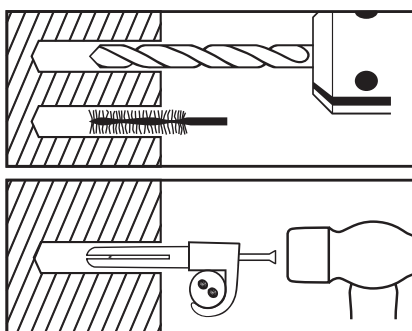
tillex®

Plastmaterial: High impact elastic polypropylene - halogen free and UV-stabilized.
Nail: Hardened steel nails, mechanically zinc plated (10mu), **Corrosion Class C4.**
 Can be installed both indoors and outdoors.

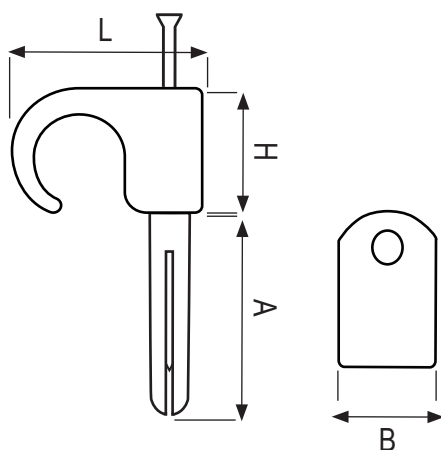


INSTALLATION

- For installation on flat surfaces.
- Drill hole with 5.5-6 mm drill, mount plugs clip and hit the nail in.
- Suitable for brick and concrete.



DIMENSIONS



PRODUCT RANGE (XXL BUCKET)

Ref. nr.	Type	Nail. mm	Colour	Dim.L, mm	Dim. B, mm	Dim. H, mm	Dim. A, mm	Drill Ø, mm	Pieces/box
107212	PC 14-18 W	2,5x40	white	21,3	14,9	14,9	20,9	5,5-6 mm	1100
107229	PC 14-18 G	2,5x40	grey	21,3	14,9	14,9	20,9	5,5-6 mm	1100
109209	PC 18-22 W	2,5x40	white	25,9	13,7	22,6	21,0	5,5-6 mm	1000
109230	PC 18-22 G	2,5x40	grey	25,9	13,7	22,6	21,0	5,5-6 mm	1000