

# TECHNICAL DATA SHEET

# tillex®

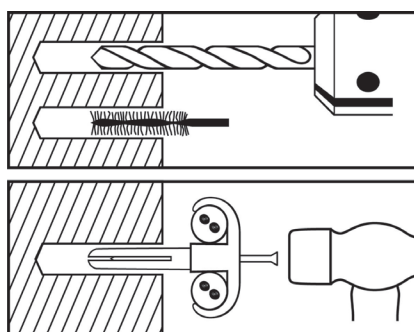
## PLUGS CLIPS DOUBLE, ROUND LEAD

**Plastmaterial:** High impact elastic polypropylene - halogen free and UV-stabilized.  
**Nail:** Hardened steel nails, mechanically zinc plated (10mu), **Corrosion Class C4.**  
 Can be installed both indoors and outdoors.

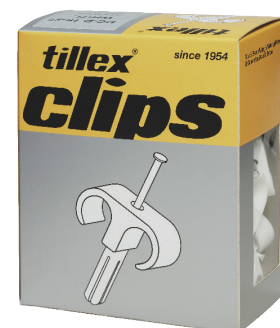
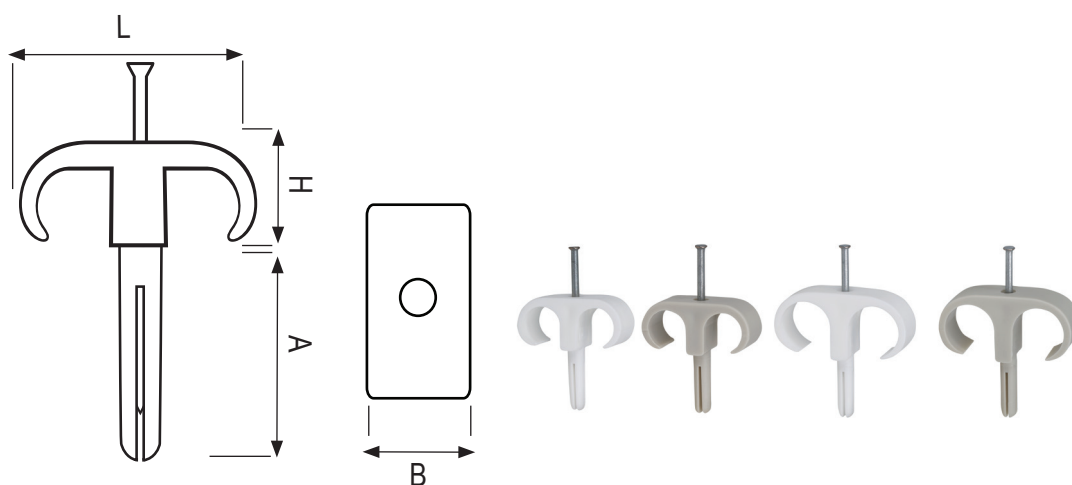


### INSTALLATION

- For installation on flat surfaces.
- Drill hole with 5.5-6 mm drill, mount plugs clip and hit the nail in.
- Suitable for brick and concrete.



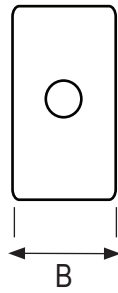
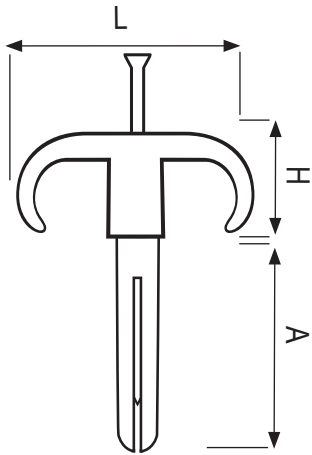
### DIMENSIONS




### PRODUCT RANGE (BOXES)

Ref. nr.	Type	Nail. mm	Colour	Dim.L, mm	Dim. B, mm	Dim. H, mm	Dim. A, mm	Drill Ø, mm	Pieces/box
106406	PC-D 14-18 C	2,5x40	clear	37,3	13,9	17,8	21,1	5,5-6 mm	60
106413	PC-D 14-18 W	2,5x40	white	37,3	13,9	17,8	21,3	5,5-6 mm	60
106420	PC-D 14-18 G	2,5x40	grey	37,3	13,9	17,8	21,1	5,5-6 mm	60
106437	PC-D 14-18 DG	2,5x40	dark grey	37,3	13,9	17,8	21,1	5,5-6 mm	60
108417	PC-D 18-22 C	2,5x45	clear	46,2	13,8	22,8	21,2	5,5-6 mm	40
108400	PC-D 18-22 W	2,5x45	white	46,2	13,8	22,8	21,2	5,5-6 mm	40
108431	PC-D 18-22 G	2,5x45	grey	46,2	13,8	22,8	21,2	5,5-6 mm	40
108448	PC-D 18-22 DG	2,5x45	dark grey	46,2	13,8	22,8	21,2	5,5-6 mm	40

## DIMENSIONS



## PRODUCT RANGE (XXL BUCKET)

Ref. nr.	Type	Nail. mm	Colour	Dim. L, mm	Dim. B, mm	Dim. H, mm	Dim. A, mm	 Drill Ø, mm	Pieces/box
107403	PC-D 14-18 C	2,5x40	clear	37,3	13,9	17,8	21,1	5,5-6 mm	800
107410	PC-D 14-18 W	2,5x40	white	37,3	13,9	17,8	21,1	5,5-6 mm	800
107427	PC-D 14-18 G	2,5x40	grey	37,3	13,9	17,8	21,1	5,5-6 mm	800
107434	PC-D 14-18 DG	2,5x40	dark grey	37,3	13,9	17,8	21,1	5,5-6 mm	800
109414	PC-D 18-22 C	2,5x45	clear	46,2	13,8	22,8	21,2	5,5-6 mm	600
109407	PC-D 18-22 W	2,5x45	white	46,2	13,8	22,8	21,2	5,5-6 mm	600
109438	PC-D 18-22 G	2,5x45	grey	46,2	13,8	22,8	21,2	5,5-6 mm	600
109445	PC-D 18-22 DG	2,5x45	dark grey	46,2	13,8	22,8	21,2	5,5-6 mm	600