

TECHNICAL DATA SHEET

PLUGS CLIPS, ROUND LEAD

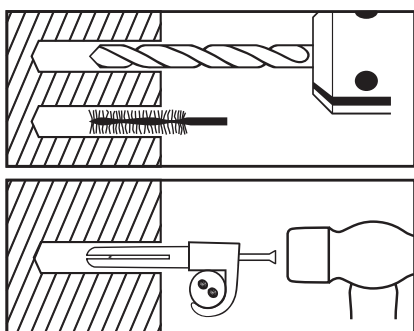
tillex®

Plastmaterial: High impact elastic polypropylene - halogen free and UV-stabilized.
Nail: Hardened steel nails, mechanically zinc plated (10mu), **Corrosion Class C4.**
 Can be installed both indoors and outdoors.

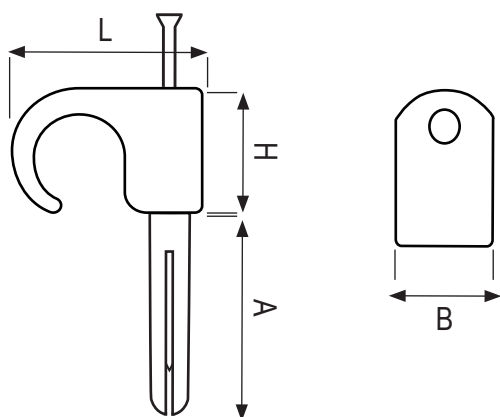


INSTALLATION

- For installation on flat surfaces.
- Drill hole with 5.5-6 mm drill, mount plugs clip and hit the nail in.
- Suitable for brick and concrete.



DIMENSIONS



PRODUCT RANGE (BOXES)

Ref. nr.	Type	Nail. mm	Colour	Dim.L, mm	Dim. B, mm	Dim. H, mm	Dim. A, mm	Drill Ø, mm	Pieces/box
102224	PC 8-12 G	2,0x35	grey	15,2	9,8	11,0	20,7	5,5-6 mm	100
102217	PC 8-12 W	2,0x35	white	15,2	9,8	11,0	20,7	5,5-6 mm	100
104228	PC 10-14 G	2,0x35	grey	16,7	11,3	12,6	20,7	5,5-6 mm	100
104211	PC 10-14 W	2,0x35	white	16,7	11,3	12,6	20,7	5,5-6 mm	100
106222	PC 14-18 G	2,5x40	grey	21,3	14,9	20,0	20,9	5,5-6 mm	100
106215	PC 14-18 W	2,5x40	white	21,3	14,9	20,0	20,9	5,5-6 mm	100
108233	PC 18-22 G	2,5x40	grey	25,9	13,7	22,6	21,0	5,5-6 mm	50
108202	PC 18-22 W	2,5x40	white	25,9	13,7	22,6	21,0	5,5-6 mm	50